

# MOTORCYCLE BATTERY

**MHP**  
OWER

**AGM**

YTX12-BS [12V12Ah] 160A [EN]



## Features

- Advanced sulfate-resistant technology.
- Advanced calcium lead alloy technology.
- Maintenance-free design.
- Factory activated, Ready to install and go!
- Absorbed Glass Mat (AGM) technology.

## Performance Specifications

Nominal Voltage ----- 12 volts

Nominal Capacity 25°C (77°F)

20-hr. (0.6A to 10.5 volts) ----- 12.96AH

10-hr. (1.2A to 10.5 volts) ----- 12AH

5-hr. (2.4A to 10.2 volts) ----- 9.8AH

1C. (12A to 9.6 volts) ----- 5.4AH

3C. (36A to 9.6 volts) ----- 4.3AH

Approximate Weight ----- 7.9lbs. (3.6kg)

Cranking (by Tester) ----- 280Amperes

Cold Cranking (-18°C) ----- 160Amperes

Internal Resistance(at 1KHz) ----- Approx.9.9mΩ

Operating Temperature Range

Discharge ----- -22°F(-30°C) to 122°F(50°C)

Charge ----- 32°F(0°C) to 104°F(40°C)

Life Expectancy (Cycle Use)

60% depth of discharge ----- 250 cycles

30% depth of discharge ----- 400 cycles

Shelf Life (% of normal capacity at 68°F(20°C).....SOC% ocv)

1 months ----- 91% 12.78V

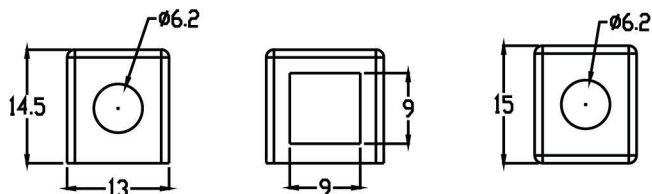
3 months ----- 89% 12.70V

6 months ----- 80% 12.5V

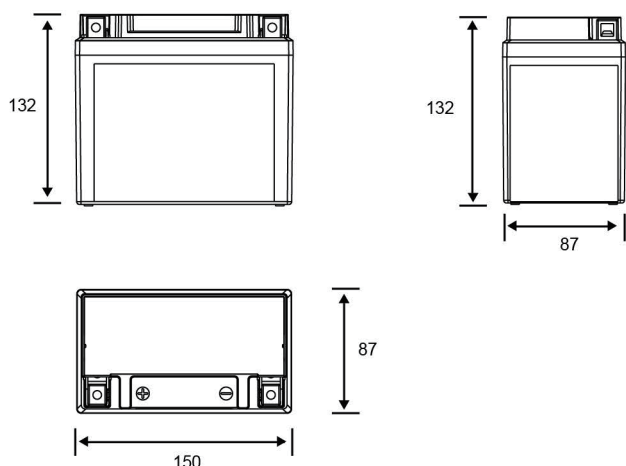
Warranty ----- 1 year

Case ----- ABS

## Terminal Dimensions: (in./mm)



## Physical Dimensions: (in./mm)



Length:5.91in(150mm) Width:3.43in(87mm)

Height:5.20in(132mm)

Tolerances are ±0.04 inches (±1mm) and ±0.08 inches (±2mm) for height.

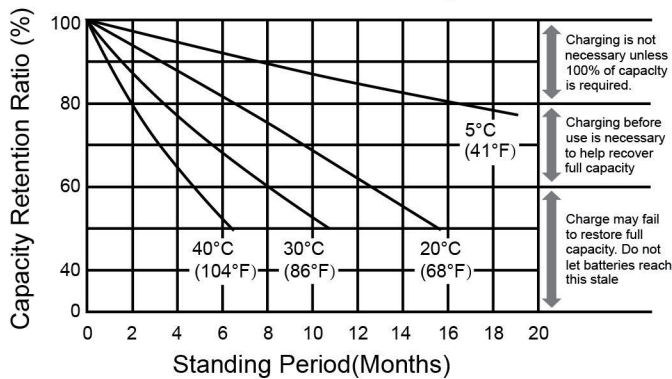
# MOTORCYCLE BATTERY

MHP  
OWER

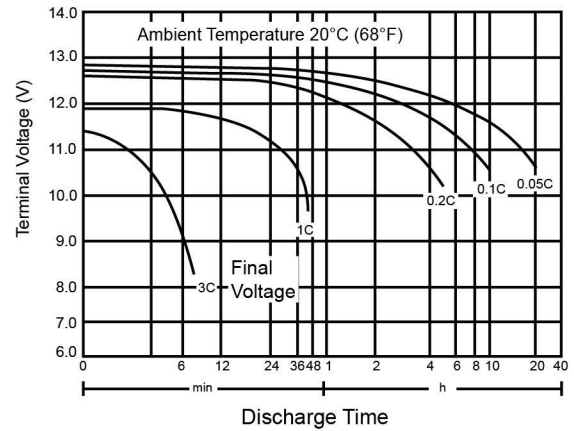
AGM

YTX12-BS [12V12Ah] 160A [EN]

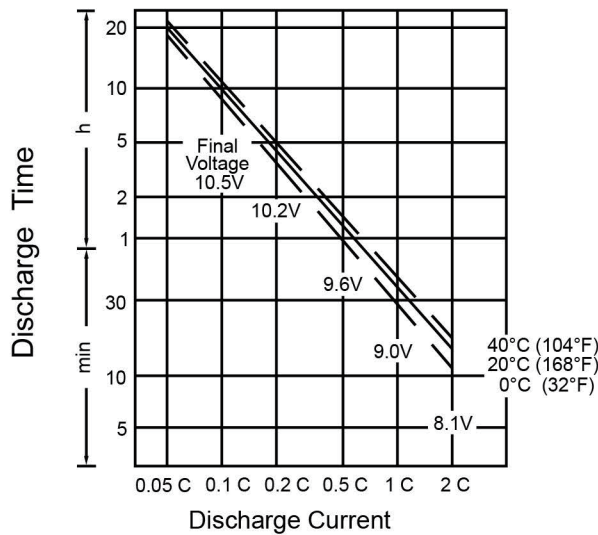
## Shelf life & Storage



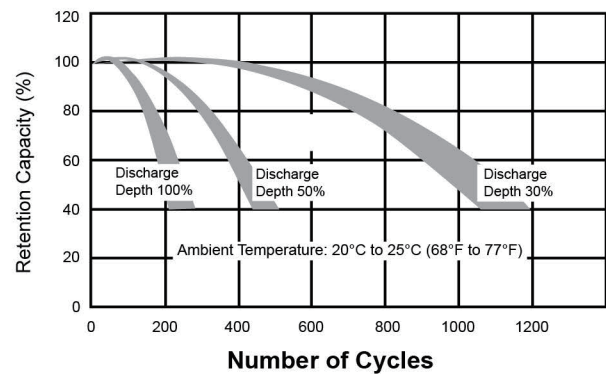
## Discharge Characteristics



## Discharge Time vs. Discharge Current



## Life Characteristics in Cyclic Use



## Charging

**Cycle Applications:** Limit initial current to 0.2C. Charge until battery voltage (under charge) reaches 14.8 to 15.0 volts at 68°F (20°C). Hold at 14.8 to 15.0 volts until current drops to under 50 mA. Battery is fully charged under these conditions, and charger should be disconnected or switched to "float" voltage.

**Note:** Due to the self-discharge characteristics of this type of battery, it is imperative that they be charged within 6 months of storage, otherwise permanent loss of capacity might occur as a result of sulfation.

## Can be used to replace:

YTX12-BS			